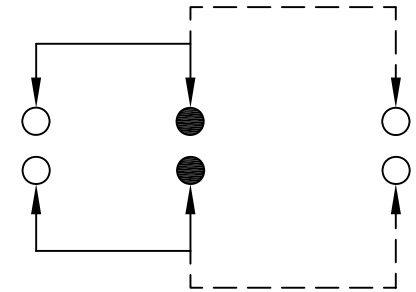
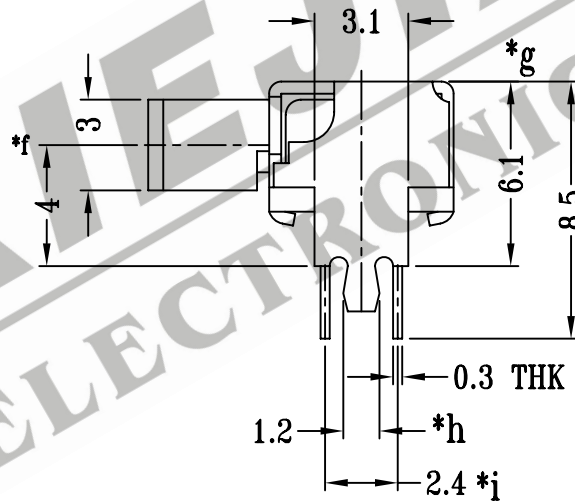
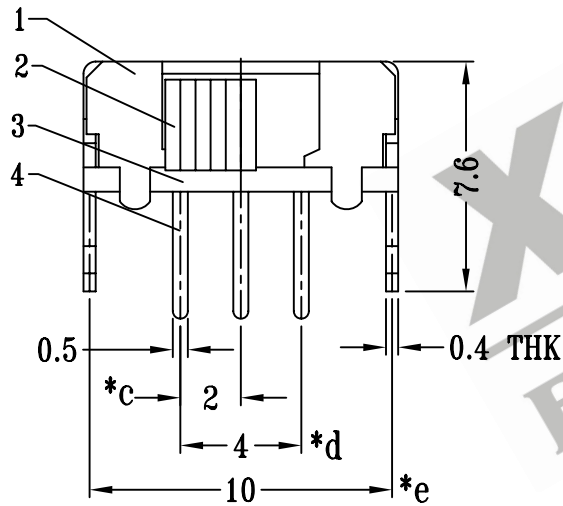
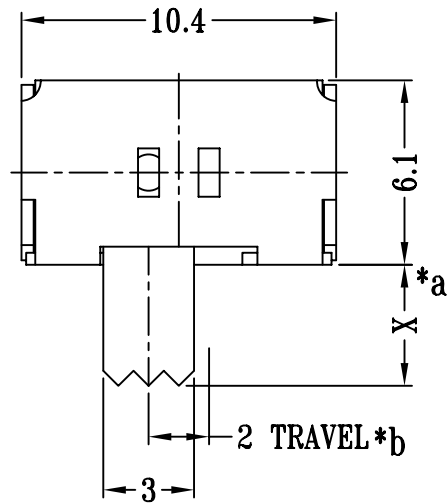
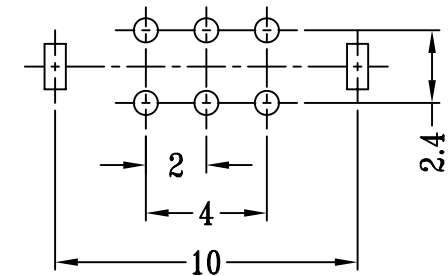


CAD FILE:



SCHEMATIC (NON-SHORTING)



P.C.B LAYOUT

注:带\*表示关键尺寸(7个)

8					TOLERANCE UNLESS SPECIFIED	SHENZHEN XIEJIA ELECTRONICS CO.,LTD.				
7										
6	CONTACT CLIP	PBS	2	Ag CLAD	WITHIN: 1.5±0.1mm	ISSUE	DATE	DESCRIPTIONS OF REVISION		APPD.
5	SPRING PLATE	STAINLESS STEEL	1	NATURAL	OVER: 1.5±0.2mm					
4	TERMINAL	BRASS STRIP	6	Ag PLATED OVER Ni PLATED	TITLE : HORIZONTAL SLIDE SWITCH	UNIT : mm	DRWG NO.: XJ-DR-SK22D25-00			
3	BASE	PHENOLIC RESIN	1	NATURAL	MODEL: SK-22D25	SCALE: 4:1	DWN.	ZHOUYU	2004-12-9	
2	KNOB	POM	1	BLACK			CHK'D	FANGYING	2004-12-9	
1	FRAME	STEEL STRIP	1	Ni PLATED	ALL MATERIALS MUST BE COMPLIANT TO ROHS	APPD.	KANGXINAN	2004-12-9		
NO.	PARTS	MATERIALS	Q'TY	FINISH						